

DDR5 DIMM SOCKETS

TE Connectivity's (TE) DDR5 DIMM sockets are the next generation offering of memory hardware designed for high performance computing and server platforms. With the ability to support up to 6.4 GT/S (gigatransfers per second) in bandwidth, and DDR5 sockets deliver on performance while maintaining the quality and robustness expected by the end user.

TARGET APPLICATIONS

- Data Center
- Server
- High Performance Computing (HPC)
- Workstation

PRODUCT DETAILS

- Support up to 6.4 GT/S Bandwidth
- Current rating: 1.0 amp/pin
- Insertion force: 106.8N Max
- Durability: 25 cycles
- Latch Type Available With Long/Middle/Short/Narrow

LEARN MORE

- [Landing Page](#)

KEY BENEFITS

- Higher data rates: supporting up to 6400mb/s
- Narrow latch types and space saving features allow for better airflow between components
- Better coplanarity and easy to install design prevents difficult soldering rework
- Stronger latch tower and available hooking options allow for increased reliability
- Customization options available at order
- Increased reliability to withstand higher system shock and vibration

FEATURES

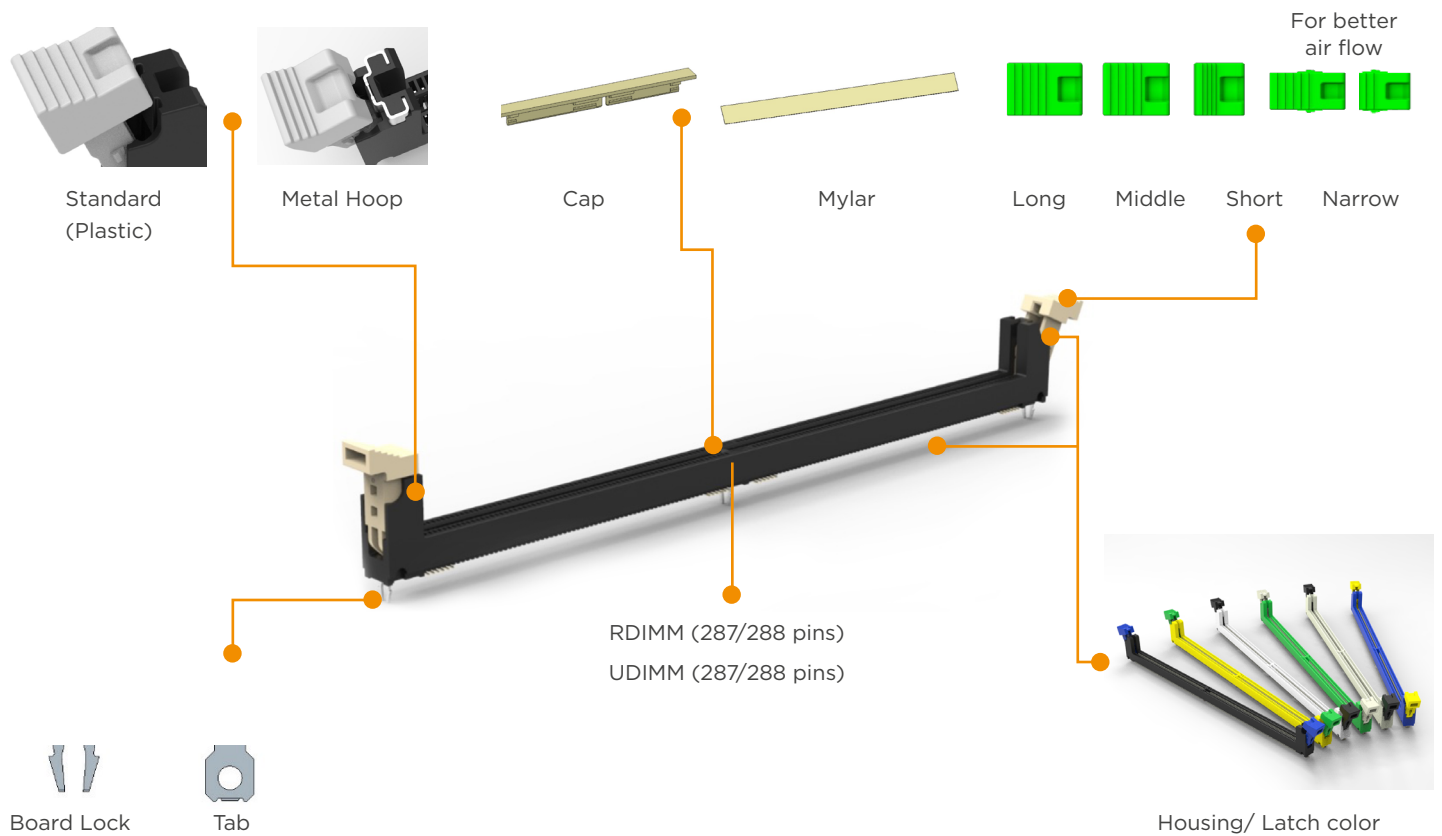
- When partnered with TE Connectivity processor socket solutions and PCIe (Gen 5), DDR5 DIMM sockets support the data rates required by current generation system architectures
- Increased thermal protection minimizes asset downtime and increases overall system reliability
- Robust construction and design features that allow for ease of installation and system upgrades
- Custom features selectable via part number allowing for ease of ordering

DDR5 DIMM SOCKET

PRODUCT DETAILS

Reference		
JEDEC Socket Outlines		SO-023
JEDEC Module Outlines		MO-329
Specification		108-115141
RoHS		Yes
Halogen Free		Yes
Flammability		UL 94 V-0
Electrical		
Current Rating		1.0 Amps/pin max.
Withstanding Voltage		500V AC
Mechanical		
Insertion Force		106.8N max.
Module Unmating Force		19.77 N min.
Durability		25 cycles min.
Physical/Material		
Contact Count		287/288 pins, 0.85mm pitch
Housing and Latch		High-temperature Nylon
Contact		Copper Alloy
Packaging		Tray
Operating Temperature		-55 to +85°C

DDR5 DIMM SOCKET OFFERING



DDR5 DIMM SOCKET

NAMING RULE

Newly implemented DDR5 DIMM naming schema allows for significantly more customization on order, for excellent customer experience.

Long/middle/short latch type (288 pins)

X-23556XX-X

Latch type & top cover	Housing & latch color	Gold plating & retention type
Blank: long & mylar	26: black & black	1: 30u" & 3 tabs
1: short & mylar	27: black & natural	2: 30u" & 3 boardlock
2: middle & mylar	28: black & yellow	3: 30u" & 2 side tabs+ boardlock
3: long & cap	29: black & blue	4: 15u" & 3 tabs
4: short & cap	30: black & green	5: 15u" & 3 boardlock
5: middle & cap	31: natural & black	6: 15u" & 2 side tabs+ boardlock
6: long & no mylar & cap	32: natural & natural	-
7: short & no mylar & cap	33: natural & yellow	-
8: middle & no mylar & cap	34: natural & blue	-

Narrow latch (4.2mm) type (288 pins)

X-XXXXXXXX-X

Housing/Latch color	Base number for narrow latch	Gold plating & retention type
Blank: black/black	2317336 Long latch & Mylar	1: 30u" & 3 tabs
1: black/natural	2379513 Long latch & Cap	2: 30u" & 3 boardlock
2: black/blue	2379514 Long latch & No cover	3: 30u" & 2 side tabs+ boardlock
3: black/green	2416055 Short latch & Mylar	4: 15u" & 3 tabs
4: natural/black	2428508 Short latch & No cover	5: 15u" & 3 boardlock
5: natural/natural	-	6: 15u" & 2 side tabs+ boardlock
6: blue/blue	-	-
7: blue/natural	-	-
8: blue/black	-	-
9: yellow/natural	-	-

UDIMM (288 pins): X-2379938-X - Please refer to drawing

DDR5 DIMM SOCKET

Long/middle/short latch type (287 pins)

X-24501XX-X

Latch type & top cover	Housing & latch color	Gold plating & retention type
Void : Long & mylar	22: Black & Black	1: 30u" & 3 Tabs
1: Short & mylar	23: Black & Natural	2: 30u" & 3 Board Lock
2: Middle & mylar	24: Black & Blue	3: 30u" & 2 Side Tabs + Board Lock
3: Long & Cap	25: Natural & Natural	4: 15u" & 3 Tabs
4: Short & Cap	26: Yellow & Natural	5: 15u" & 3 Board Lock
5: Middle & Cap	27: Blue & Natural	6: 15u" & 2 Side Tabs + Board Lock
6: Long & no mylar & no cover	28: Blue & Blue	-
7: Short & no mylar & no cover	-	-
8: Middle & no mylar & no cover	-	-

Narrow latch (4.2mm) type (288 pins)

X-24502XX-X

Housing/Latch color	Base number for narrow latch	Gold plating & retention type
Void: Black & Black	08: Long latch & Mylar	1: 30u" & 3 Tabs
1: Black & Nature	10: Long latch & Cap	2: 30u" & 3 Board Lock
2: Black & Blue	11: Long latch & No cover & No Mylar	3: 30u" & 2 Side Tabs + Board Lock
3: Black & Green	12: Short latch & Mylar	4: 15u" & 3 Tabs
4: Natural & Black	13: Short latch & No Cap & No Mylar	5: 15u" & 3 Board Lock
5: Natural & Natural	-	6: 15u" & 2 Side Tabs + Board Lock
6: Blue & Blue	-	-
7: Blue & Natural	-	-
8: Blue & Black	-	-
9: Yellow & Natural	-	-

DDR5 DIMM SOCKET

PART NUMBERS

Part Number	Type	Pin Count	Color		Latch type	Top Cover	Gold plating	Retention Type
			HSG	Latch				
2-2355626-1	Standard	288	Black	Black	Middle	Mylar	30u"	3 TAB
2-2355627-1	Standard	288	Black	Natural	Middle	Mylar	30u"	3 TAB
6-2355626-1	Standard	288	Black	Black	Long	No	30u"	3 TAB
6-2355626-1	Standard	288	Natural	Natural	Long	No	30u"	3 TAB
1-2355626-1	Standard	288	Black	Black	Short	Mylar	30u"	3 TAB
1-2355627-1	Standard	288	Black	Natural	Short	Mylar	30u"	3 TAB
8-2355632-1	Standard	288	Natural	Natural	Middle	No	30u"	3 TAB
8-2355626-1	Standard	288	Black	Black	Middle	No	30u"	3 TAB
6-2355626-4	Standard	288	Black	Black	Long	No	15u"	3 TAB
6-2355644-4	Standard	288	Blue	Blue	Long	No	15u"	3 TAB
2379513-1	Narrow	288	Black	Black	Narrow	Cap	30u"	3 TAB
1-2379513-1	Narrow	288	Black	Natural	Narrow	Cap	30u"	3 TAB
8-2450125-1	Standard	287	Natural	Natural	Middle latch	No	30u"	3 TAB
8-2450122-1	Standard	287	Black	Black	Middle latch	No	30u"	3 TAB
2450122-4	Standard	287	Black	Black	Long latch	Mylar	15u"	3 TAB
2450123-4	Standard	287	Black	Natural	Long latch	Mylar	15u"	3 TAB

[te.com](https://www.te.com)

© 2023 TE Connectivity. All Rights Reserved.

TE Connectivity, TE connectivity (logo) and TE are trademarks owned or licensed by TE Connectivity Ltd. family of companies.. All other logos, products and/or company names referred to herein might be trademarks of their respective owners.

While TE has made every reasonable effort to ensure the accuracy of the information in this brochure, TE does not guarantee that it is error-free, nor does TE make any other representation, warranty or guarantee that the information is accurate, correct, reliable or current. TE reserves the right to make any adjustments to the information contained herein at any time without notice. TE expressly disclaims all implied warranties regarding the information contained herein, including, but not limited to, any implied warranties of merchantability or fitness for a particular purpose. The dimensions in this catalog are for reference purposes only and are subject to change without notice. Specifications are subject to change without notice. Consult TE for the latest dimensions and design specifications.

08/23